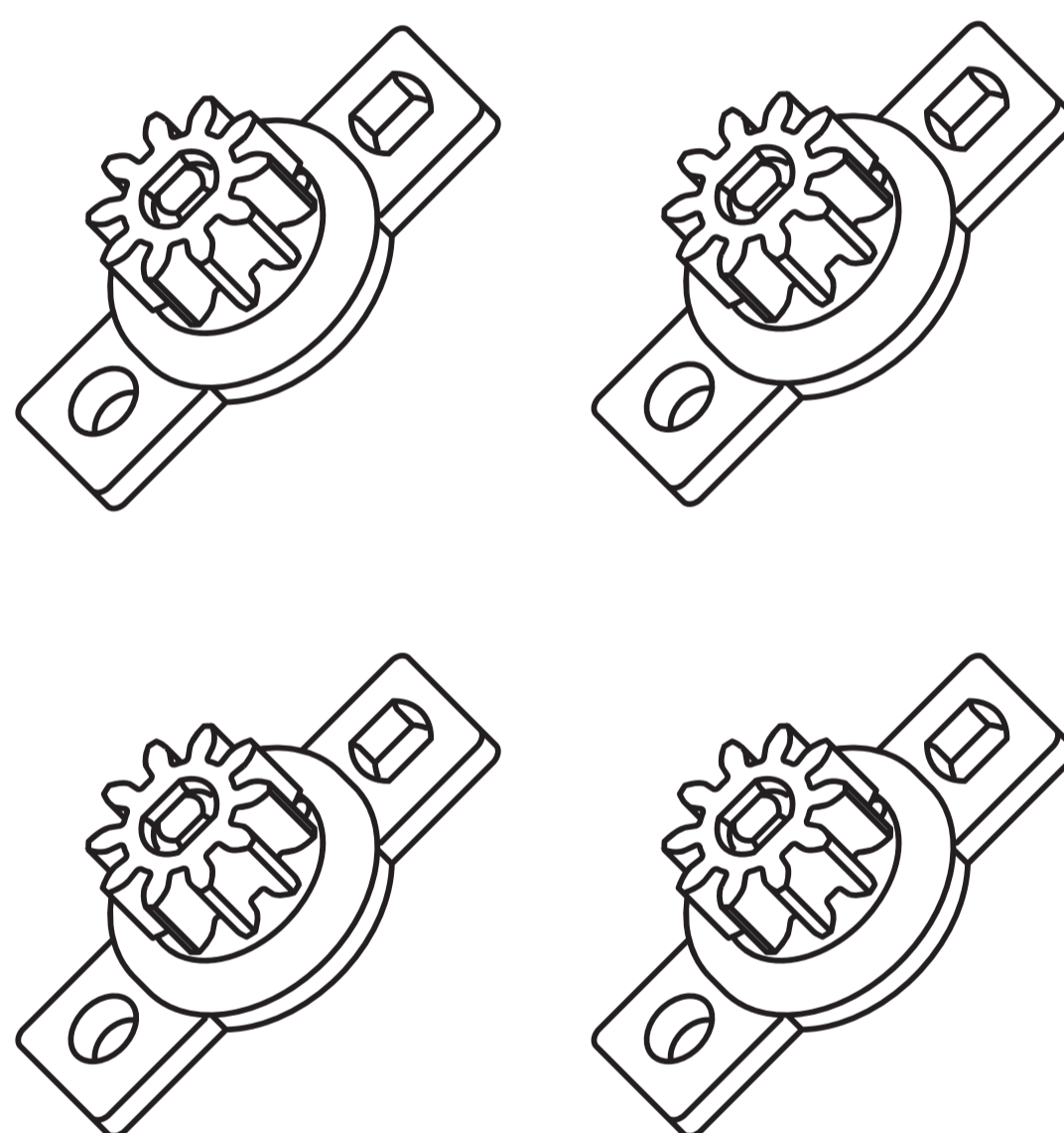


GRAVGRIP™

HYDRAULIC VARIETY PACK GUIDE

V1 04.02.21

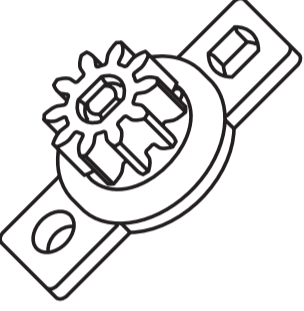
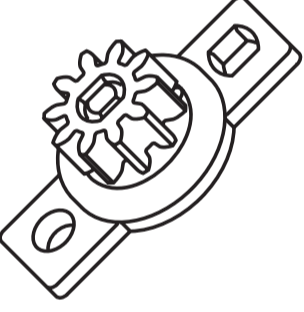
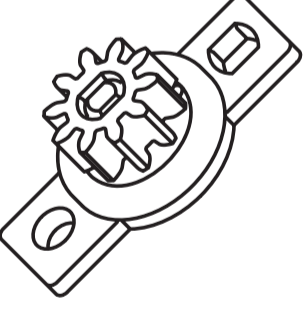
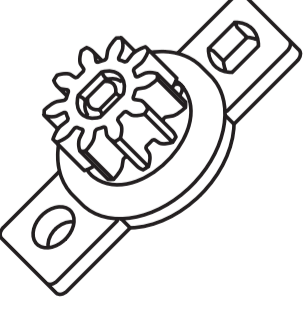


Hydraulic Setting Variety Pack

GravGrip® is extremely customizable. If GravGrip's rotation speed does not meet your expectations, the **Hydraulic Setting Variety Pack** is the right upgrade for you! Each GravGrip® comes equipped with a Stage 3 hydraulic setting. The Stage 3 hydraulic setting is a favorite among GravGrip® users. That being said, we understand users may want to further tune their GravGrip®. This Variety Pack includes 4 hydraulic settings, Stages 1-4, purchase the GravGrip® Hydraulic Setting Variety Pack to achieve the exact setting you are looking for.

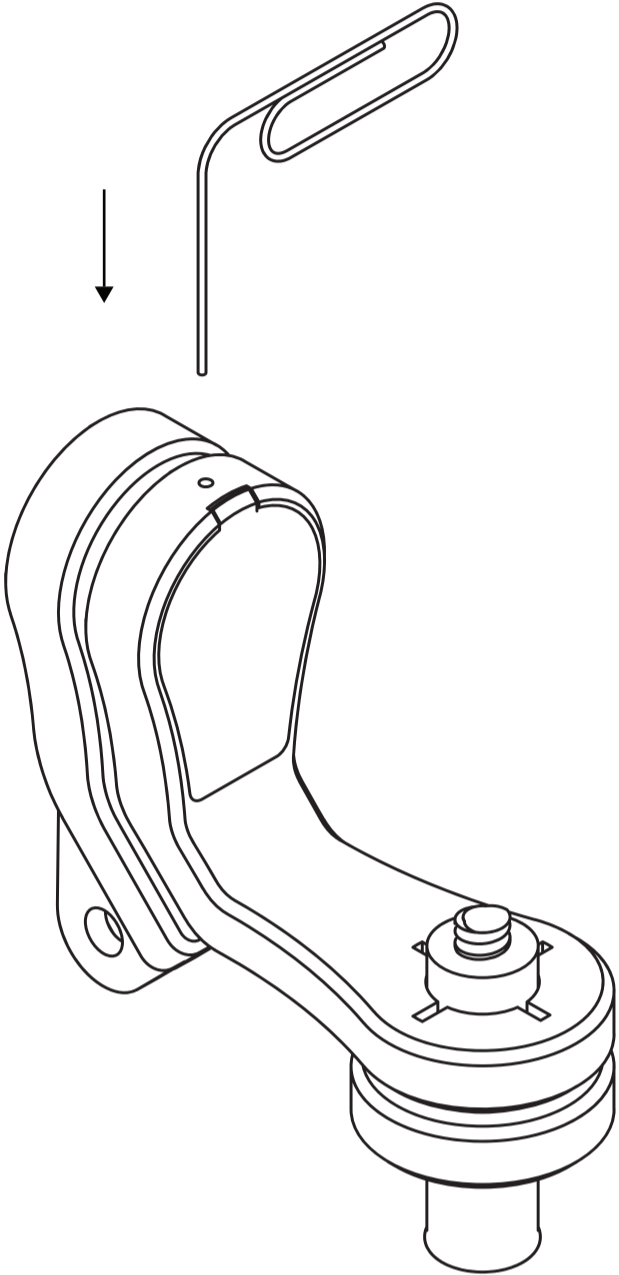
Hydraulic Setting Stage Classification

Use the chart below to determine which hydraulic stage setting is best for your setup. We recommend trying each of the 4 hydraulic Stage settings to truly understand which will benefit your GravGrip® setup the most.

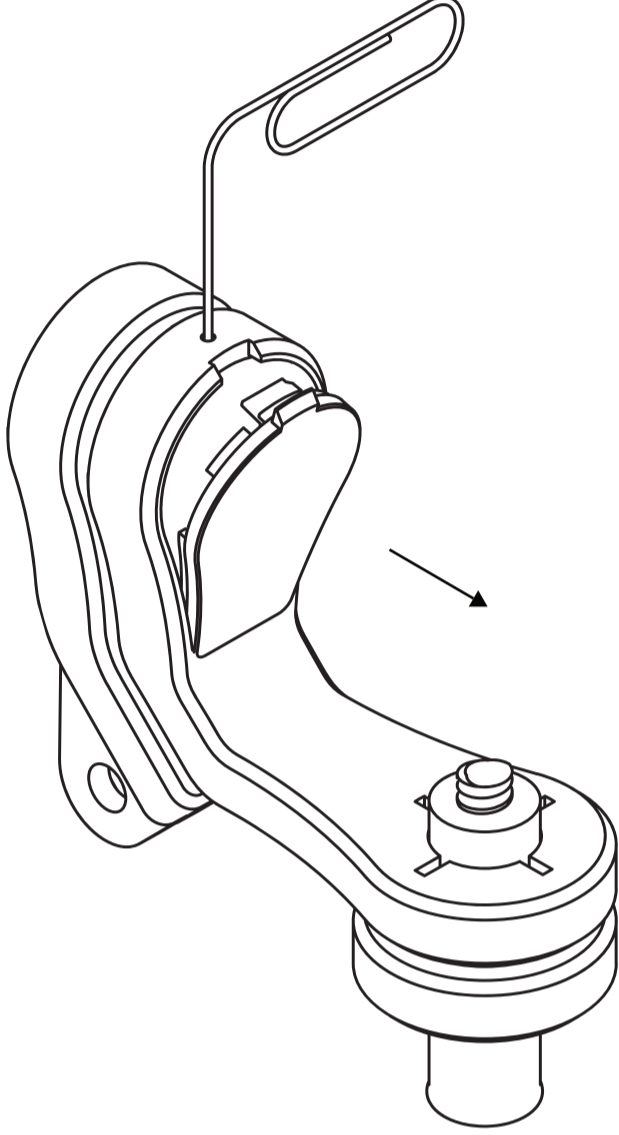
		FAST		
STAGE 1		ROTATION SPEED	<ul style="list-style-type: none"> • Most reactive to motion • Preferred quick rotation speed 	
STAGE 2			<ul style="list-style-type: none"> • Preferred quick rotation speed • 1.67x greater hydraulic resistance over Stage 1 	
STAGE 3			<ul style="list-style-type: none"> • Included in all GravGrip's * • A favorite among GravGrip® users • 2.33x greater hydraulic resistance over Stage 1 	
STAGE 4			<ul style="list-style-type: none"> • Heavy setups or a preferred slow reaction speed • Least reactive to motion • 3.00x greater hydraulic resistance over Stage 1 	
		SLOW		

Changing Hydraulic Settings

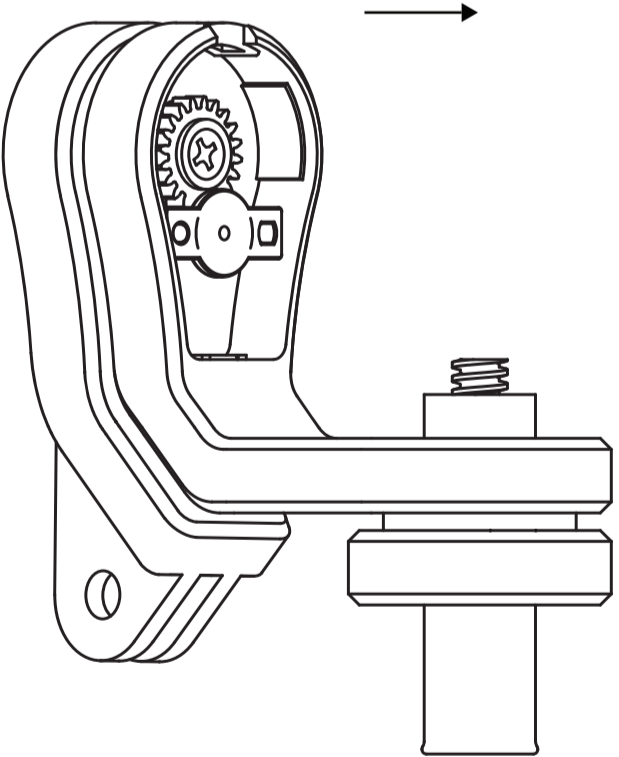
Swapping out the hydraulic setting in your GravGrip™ is easy. All you need is a thin pointed object to disconnect GravGrip's lid. For this process, follow the steps below, we recommend using a paper clip.



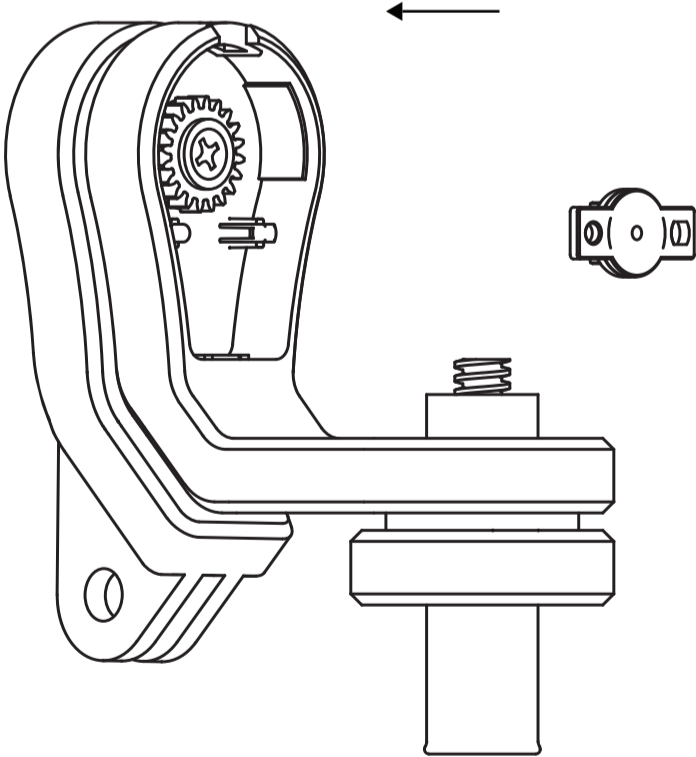
Insert Paper Clip



Remove Lid



Remove Hydraulic Setting



**Install Hydraulic Setting
Reattach Lid**